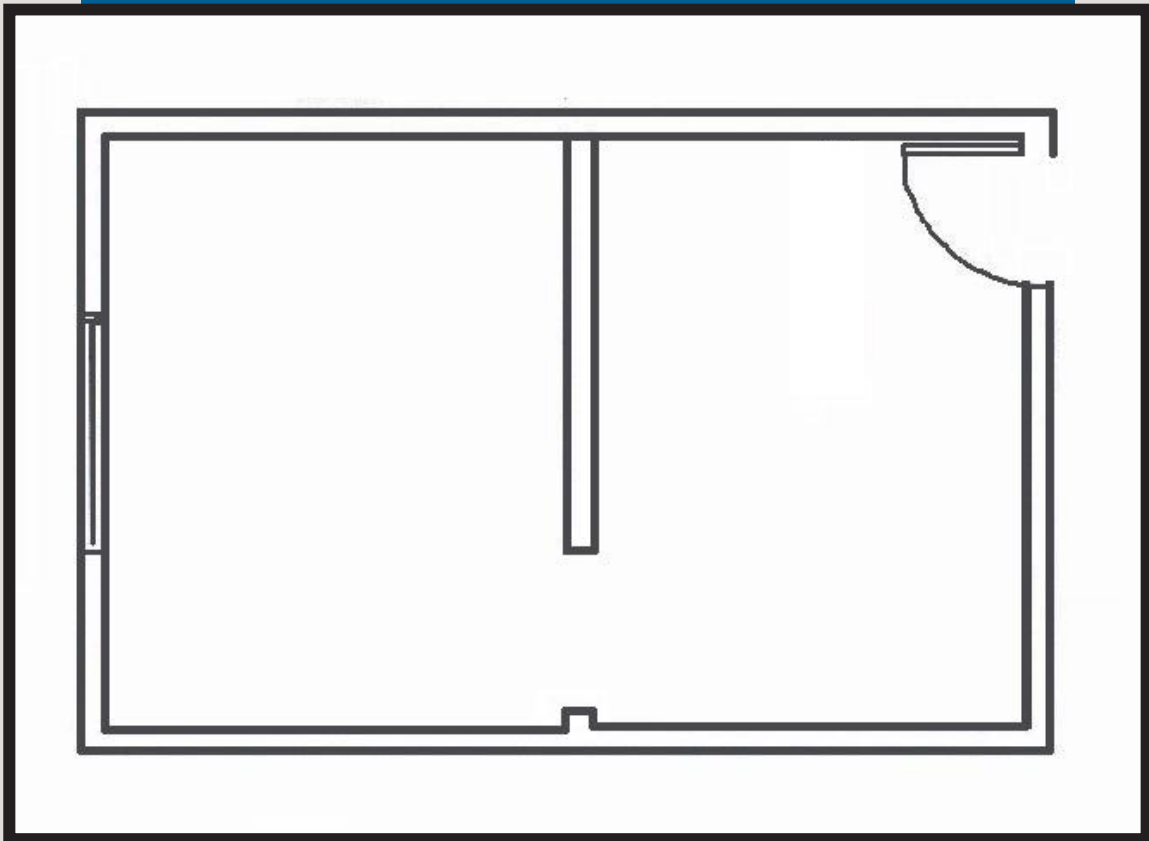


ONE OCEAN PLAZA

Suite 316- 345 SF



- West facing suite with views of downtown Boca Raton
- Floor-to-ceiling glass
- Free covered parking

Leased and Managed by

PENN-FLORIDA
Realty Corporation